



*Jo. Zähl*  
ELEKTRONIK TONTECHNIK

ZÄHL Elektronik-Tontechnik  
www.zaehl.com

Distributor  
**sono** STUDIOTECHNIK  
Phone +49 (0)89 4196710  
contact@sono.de  
www.sono.de

# ZÄHL CSX-11 Commentator's Unit

Analogue add-on unit with fail-safe functionality for RIEDEL ARTIST Standard Control Panel DCP-1016E

- most easy operation
- high quality audio
- system redundancy in combination with DCP-1016E
- automatic switch over to stand-alone/fail-safe operation
- smart link to RIEDEL ARTIST logic

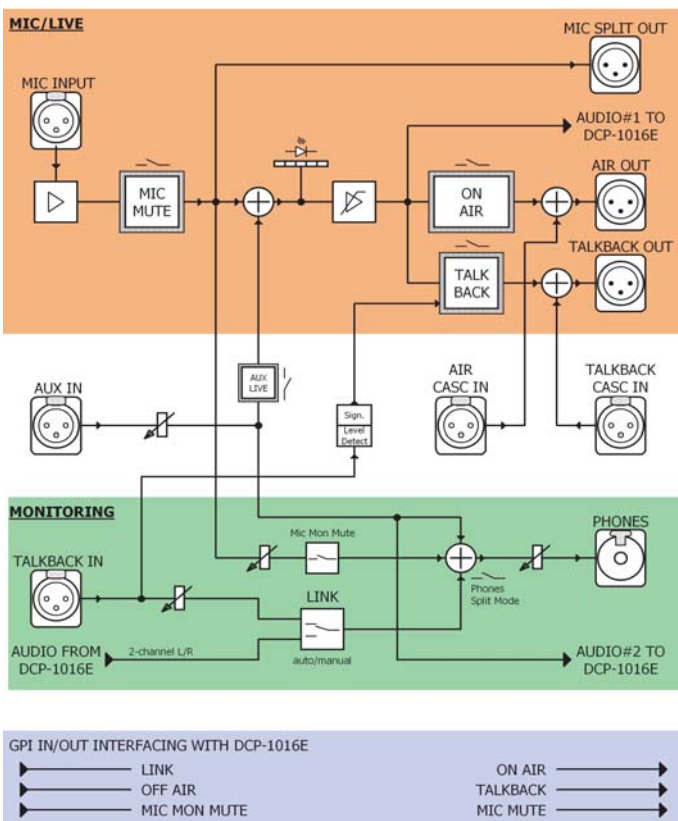
Joining CSX-11 and DCP-1016E together results in a functional as well as a mechanical unit. It combines the best of the digital and the analogue world for live commentator applications.

The development of this special piece of equipment has been initiated by people who work in the field. As a result, it contains many practical features of which we are convinced will meet your requirements.

Please contact us for more information and specifications.



CSX-11 extends a DCP-1016E front panel providing easy to operate control elements especially layed out for commentator's use



a variety of additional audio ports on the rear panel, basic interfaces of DCP-1016E looped through to allow ARTIST system "normal" functionality



Easy assembling/disassembling,  
no cables needed for connecting the units